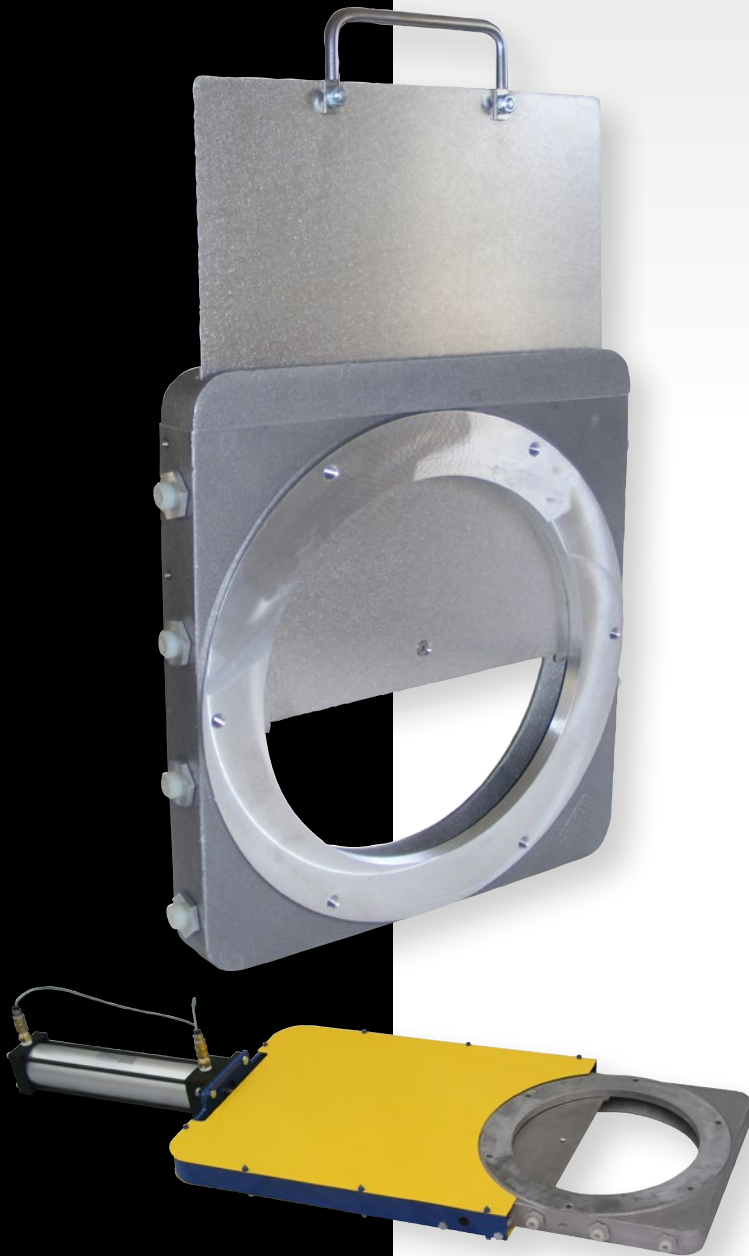


Aerodyne®

StopTight™ KG Valve



The Aerodyne StopTight™ KG Valve is the easiest and most economical way to manage the flow of gravity-fed solids, powders and granules from hoppers, silos, mixers, screw conveyors and gravity chutes. The thin profile of this knife gate valve allows it to go where most other valves can't, and tapped inlet and outlet flanges provide easy installation for in-line or open discharge use. A felt seal around the slide plate keeps excess material from being pulled out as the valve operates. Adjustable nylon cam-guides support the plate and seal it firmly against the machined seat. The cast aluminum body and 304 stainless steel slide plate makes this valve suitable for a wide range of materials including chemical, foodstuffs and plastics.

The StopTight™ KG Valve is available in manual or pneumatic operation.

Features:

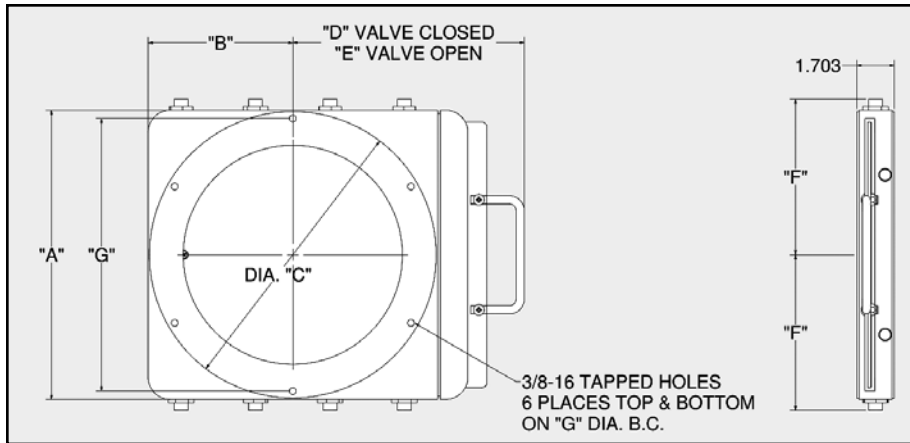
- Available sizes 8", 10" and 12"
- Manual or pneumatic operation
- Slim profile
- Machined cast aluminum body
- 304 stainless steel slide plate
- Adjustable cam guides
- Felt seal with adjustable stuffing box
- Maximum operating temperature 300°F

 **Aerodyne®**
ENVIRONMENTAL

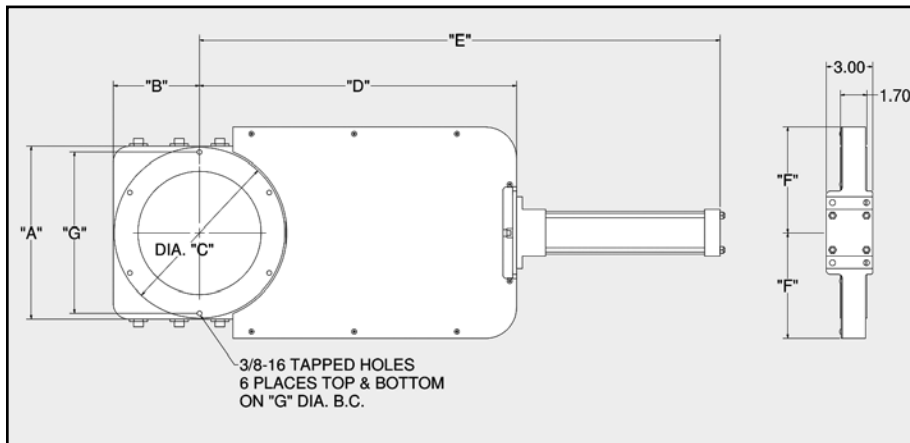
17387 Munn Road • Chagrin Falls, OH 44023

(440) 543-7400 • FAX: (440) 543-7404

800-358-7546 • www.DustCollectorHQ.com



Model	Opening	A	B	C	D	E	F	G
APKG08	8"	11.13	5.56	11.00	9.50	18.21	6.06	10.375
APKG10	10"	13.13	6.56	13.00	10.50	21.34	7.06	12.375
APKG12	12"	15.13	7.56	15.00	11.50	24.31	8.06	14.375



Model	Opening	A	B	C	D	E	F	G
APKG08-P	8"	11.13	5.56	11.00	20.44	33.56	6.81	10.375
APKG10-P	10"	13.13	6.56	13.00	23.53	38.66	7.81	12.375
APKG12-P	12"	15.13	7.56	15.00	26.50	44.63	8.81	14.375

Other Aerodyne Valves

